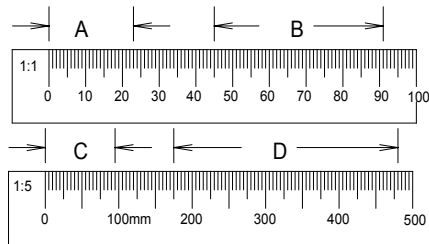


SCALES ASSIGNMENT

NAME: _____ BLOCK: _____

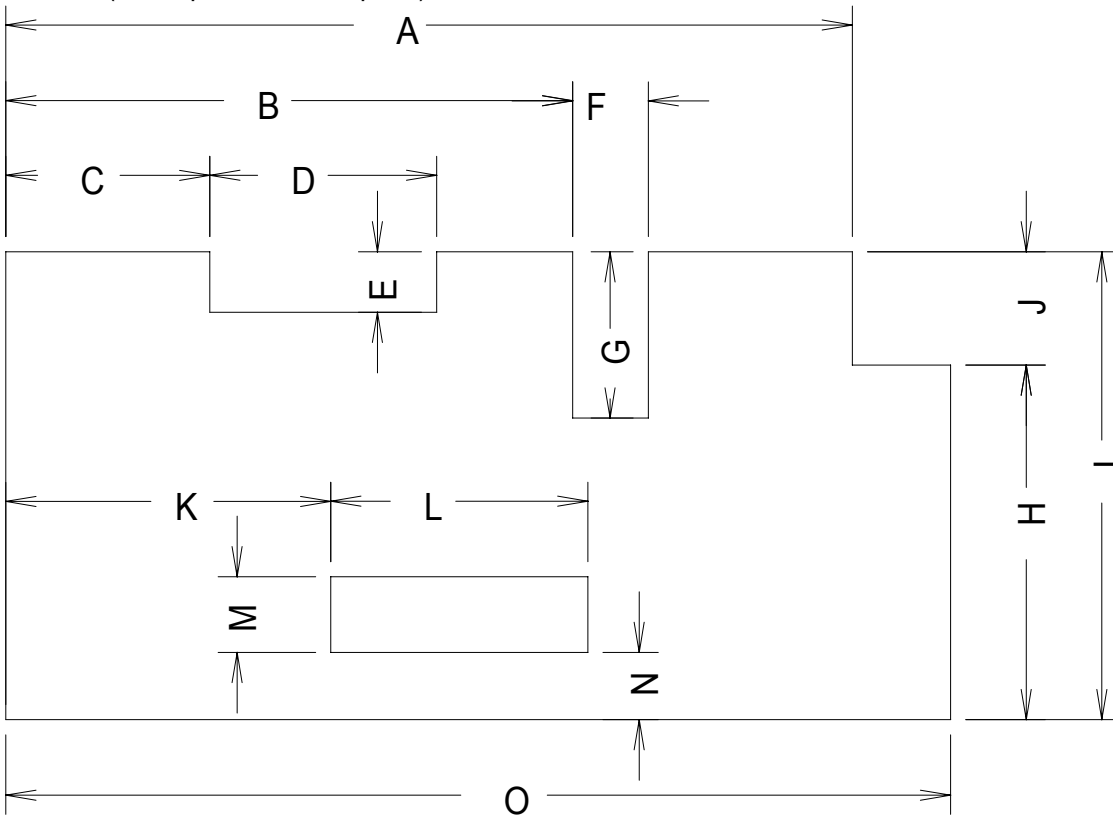
Instructions:

1. Read the rulers at the right (arrow point to arrow point)
2. Measure the sizes of the shapes below using the specified scale (arrow point to arrow point)



A= _____
 B= _____
 C= _____
 D= _____

1:1



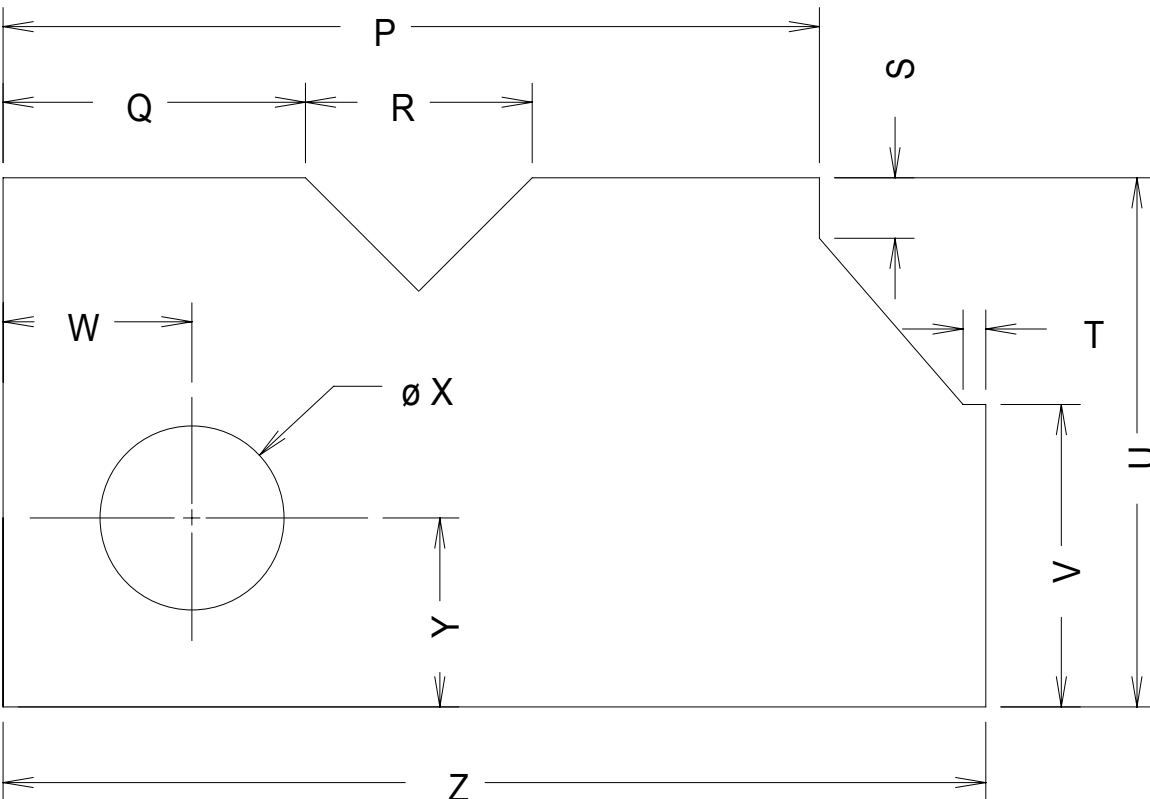
A= _____
 B= _____
 C= _____
 D= _____

1:2

E= _____
 F= _____
 G= _____
 H= _____
 I= _____

1:5

J= _____
 K= _____
 L= _____
 M= _____
 N= _____
 O= _____



1:10

P= _____
 Q= _____
 R= _____
 S= _____
 T= _____
 U= _____

1:50

V= _____
 W= _____
 X= _____
 Y= _____
 Z= _____