

NO GUARANTEES AS TO THE ACCURACY OF THESE DRAWINGS.

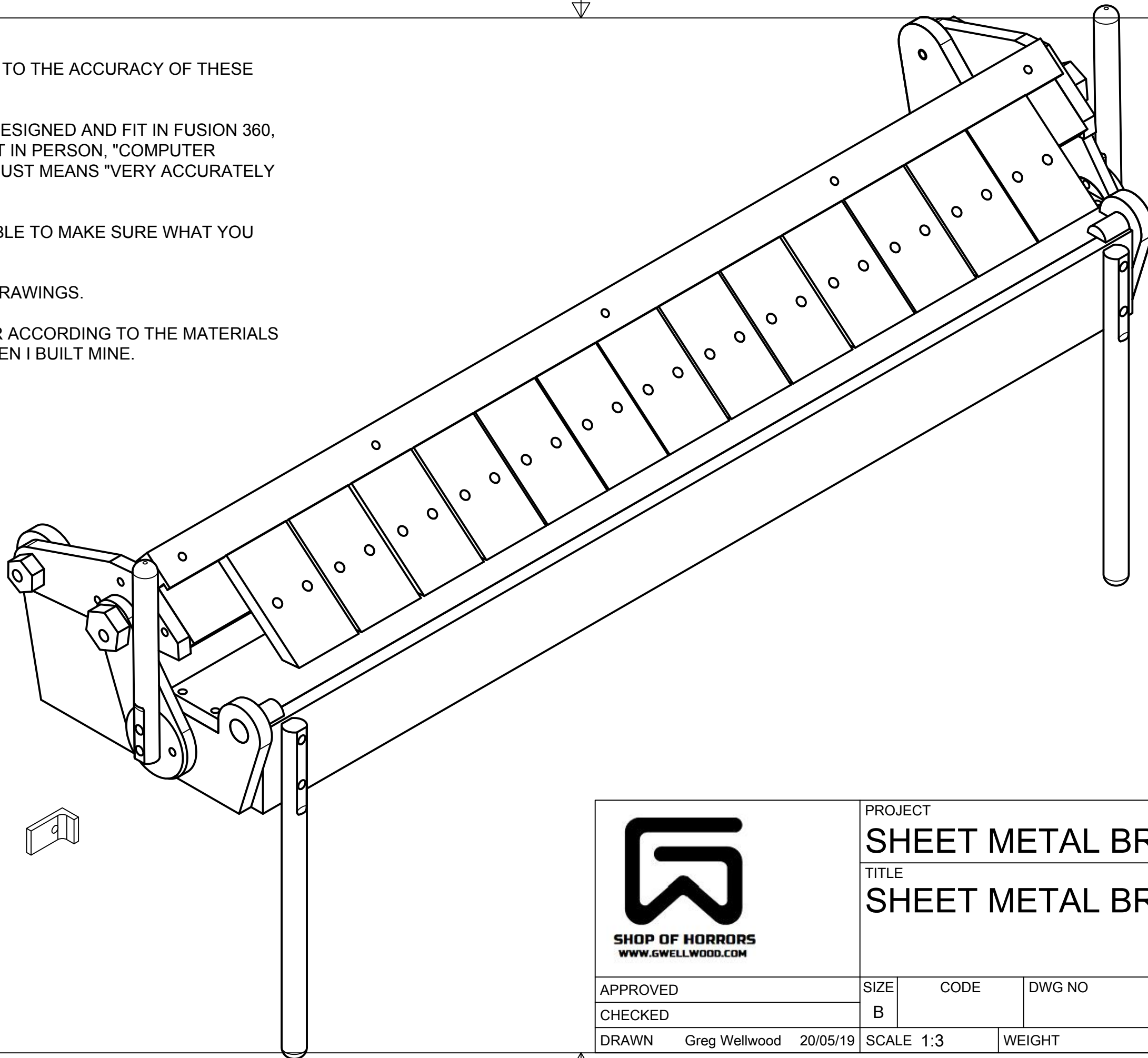
WHILE THEY WERE DESIGNED AND FIT IN FUSION 360, AND ACTUALLY BUILT IN PERSON, "COMPUTER DESIGNED" REALLY JUST MEANS "VERY ACCURATELY DONE WRONG."

YOU ARE RESPONSIBLE TO MAKE SURE WHAT YOU BUILD WILL FIT.

NEVER TRUST THE DRAWINGS.

FEEL FREE TO ALTER ACCORDING TO THE MATERIALS YOU HAVE. I DID WHEN I BUILT MINE.

G WELLWOOD



SHOP OF HORRORS  
WWW.GWELLWOOD.COM

PROJECT

SHEET METAL BRAKE

TITLE

SHEET METAL BRAKE

APPROVED

CHECKED

DRAWN

Greg Wellwood

20/05/19

SIZE

B

CODE

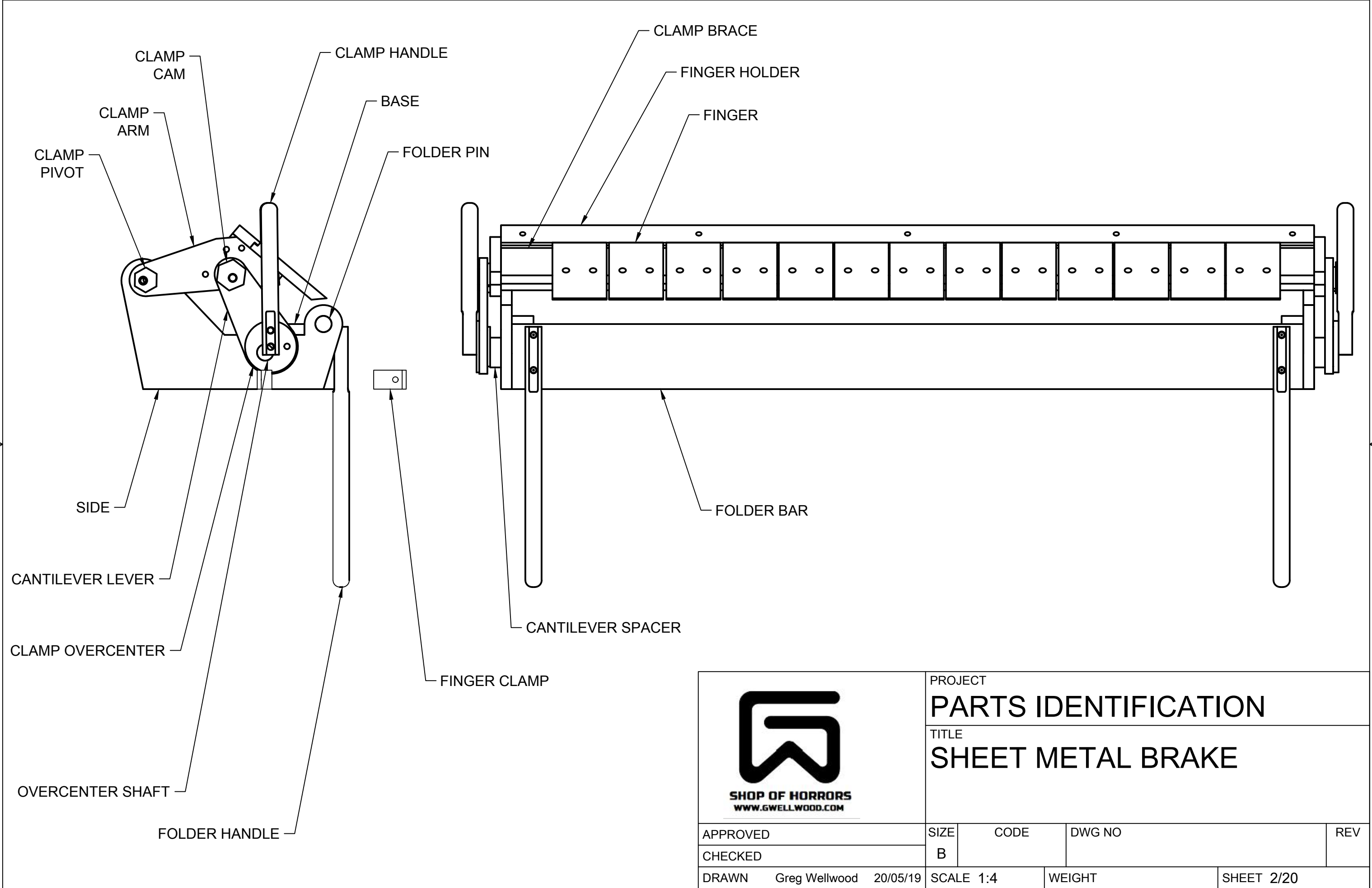
DWG NO

REV

SCALE 1:3

WEIGHT

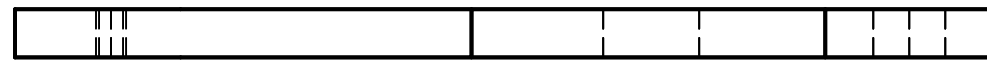
SHEET 1/20



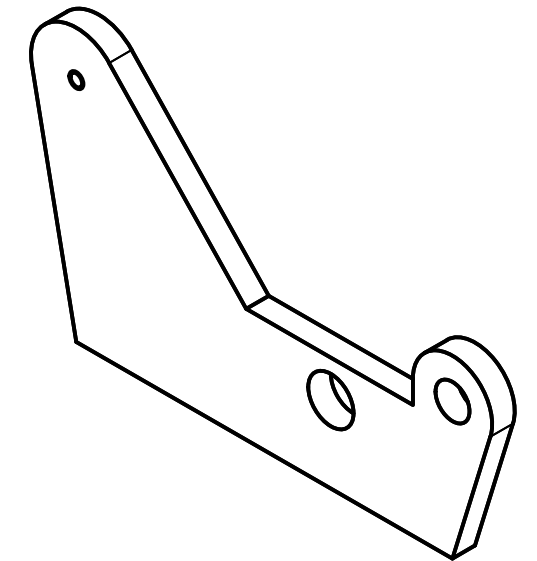
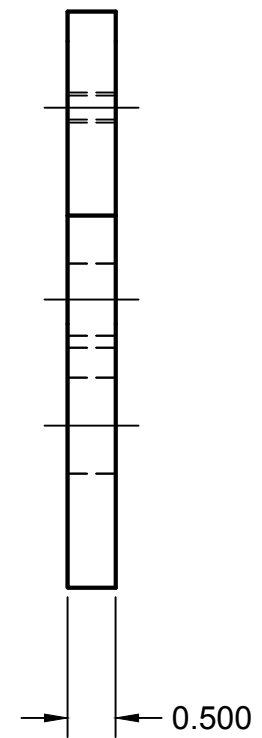
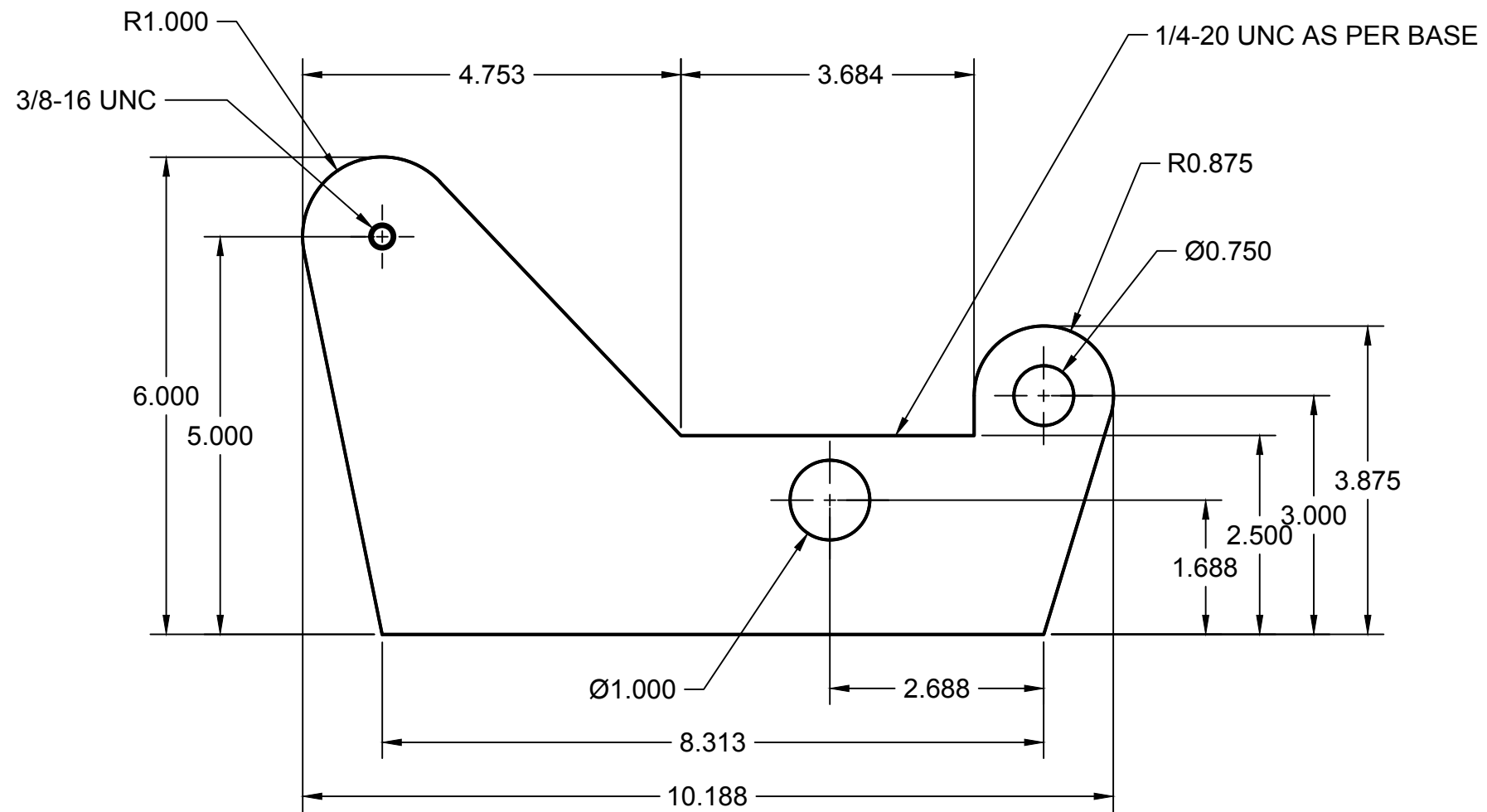
PROJECT  
**PARTS IDENTIFICATION**

TITLE  
**SHEET METAL BRAKE**

APPROVED	SIZE	CODE	DWG NO	REV
CHECKED	B			
DRAWN Greg Wellwood 20/05/19	SCALE 1:4	WEIGHT	SHEET 2/20	



NEED TWO



SHOP OF HORRORS  
WWW.GWELLWOOD.COM

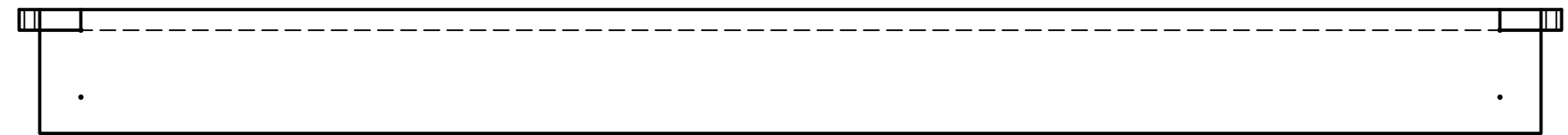
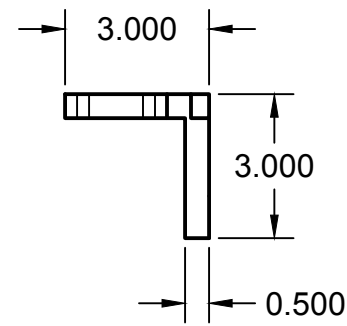
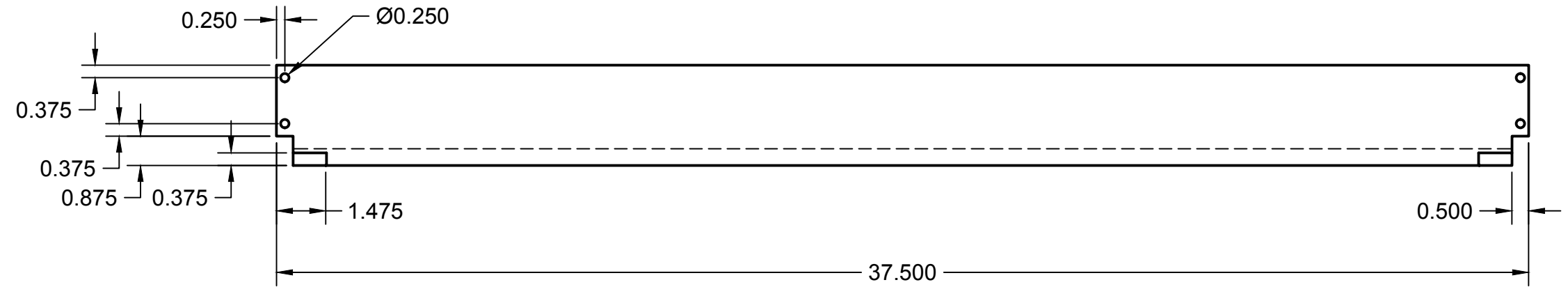
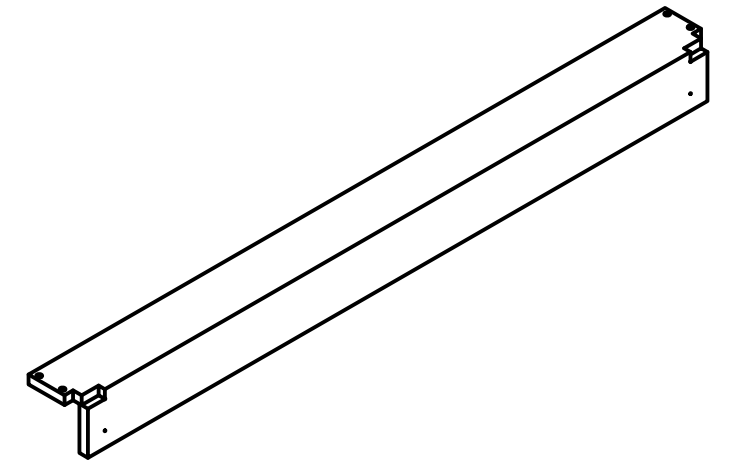
PROJECT


SIDE

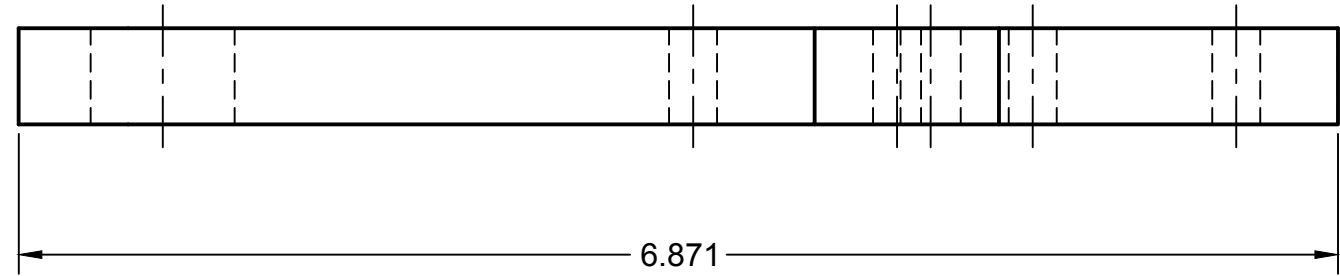
TITLE

SHEET METAL BRAKE

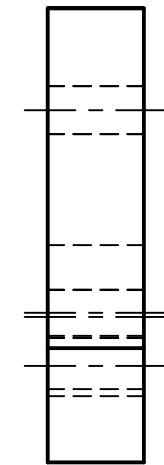
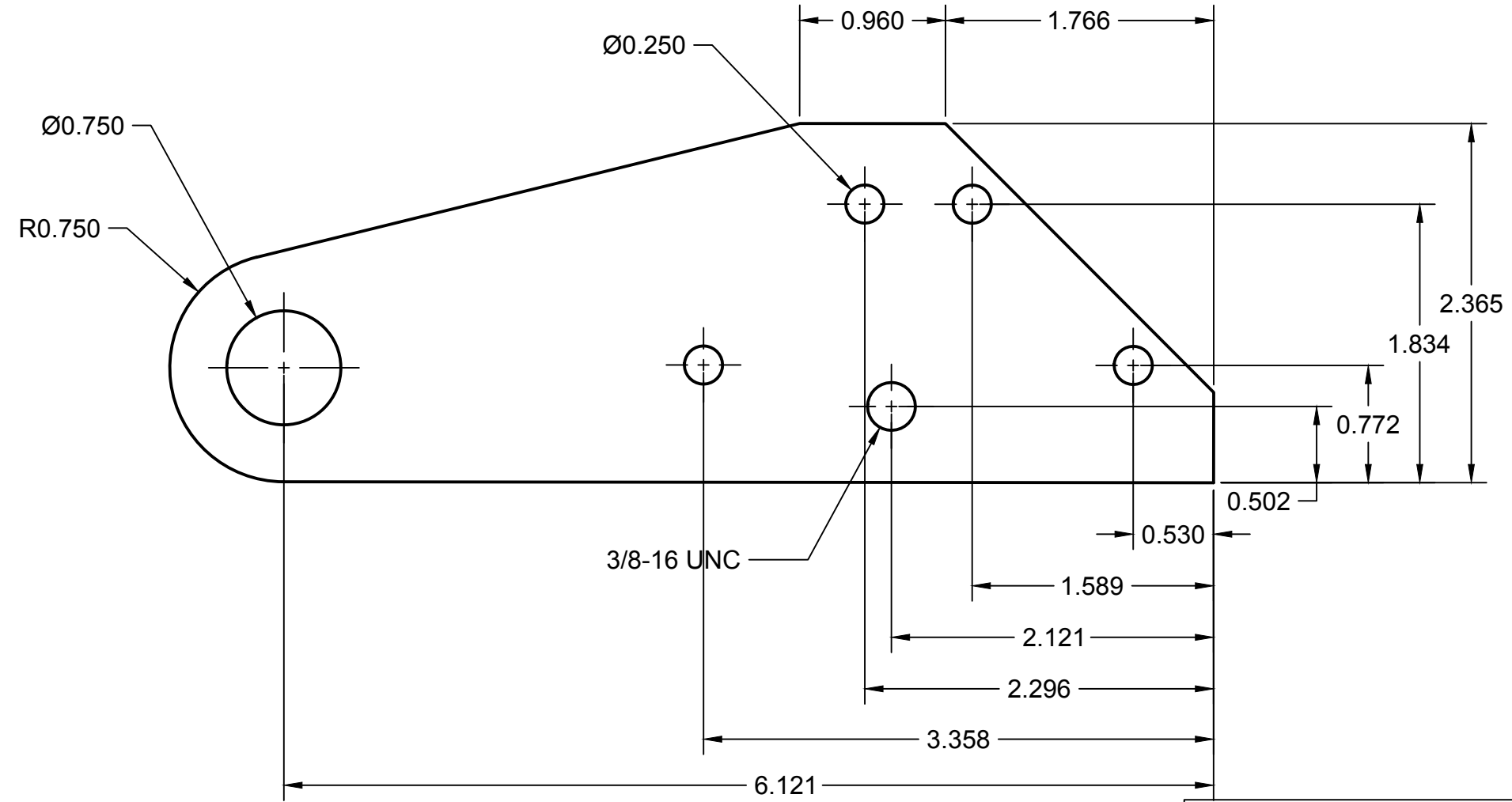
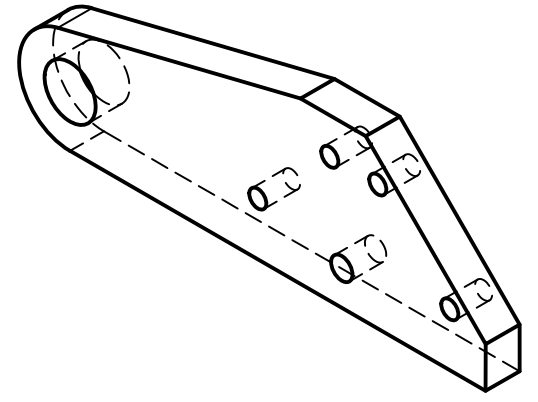
APPROVED	SIZE	CODE	DWG NO	REV
CHECKED	B			
DRAWN	Greg Wellwood	20/05/19	SCALE 1:2	WEIGHT
				SHEET 3/20




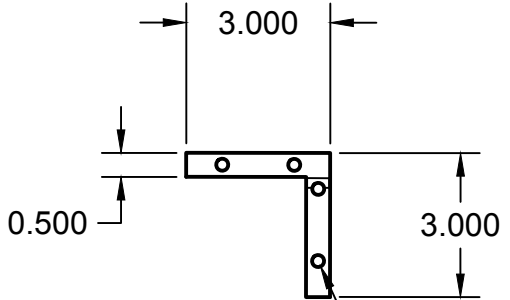
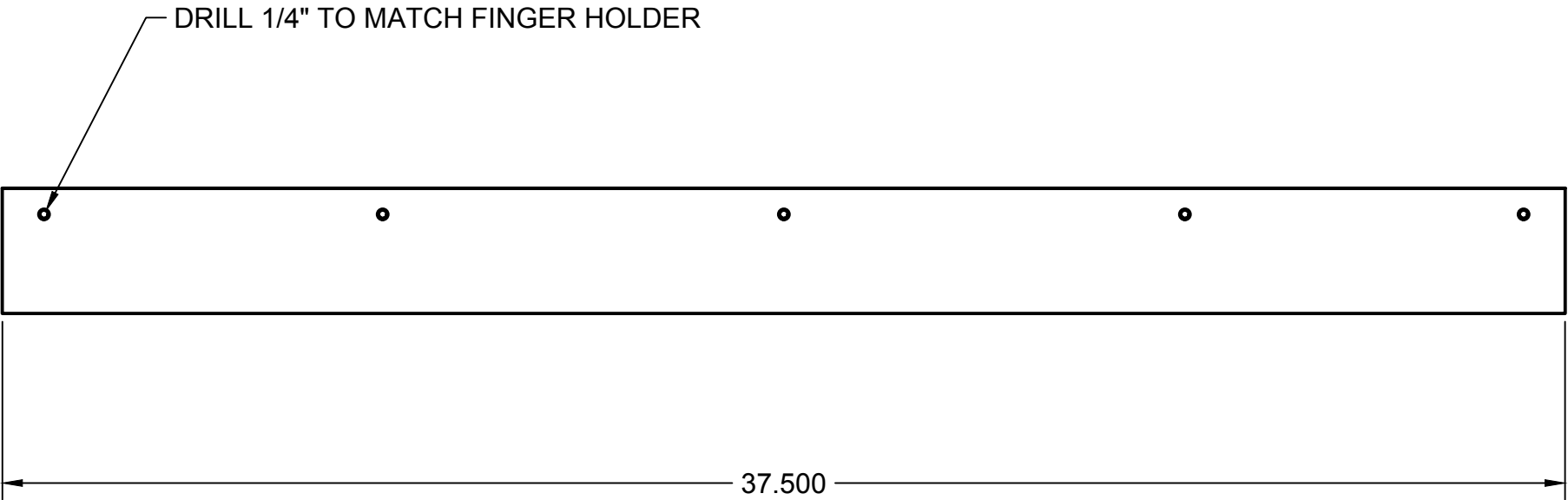
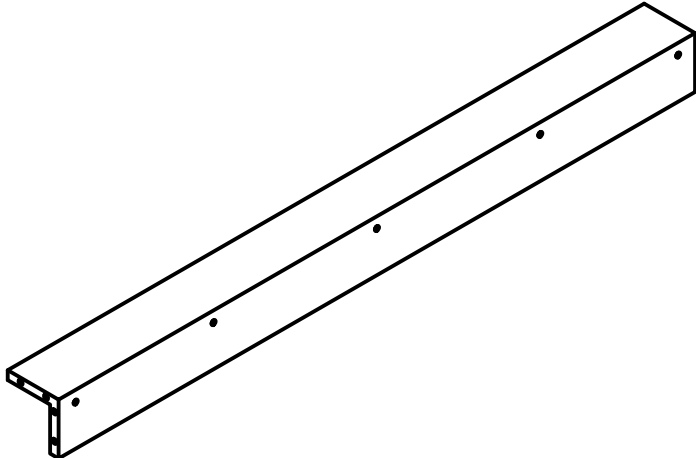
 <b>SHOP OF HORRORS</b> WWW.GWELLWOOD.COM	PROJECT			
	<b>BASE</b>			
TITLE				
<b>SHEET METAL BRAKE</b>				
APPROVED	SIZE	CODE	DWG NO	REV
CHECKED	B			
DRAWN	Greg Wellwood	20/05/19	SCALE 1:4	WEIGHT
			SHEET 4/20	



NEED TWO




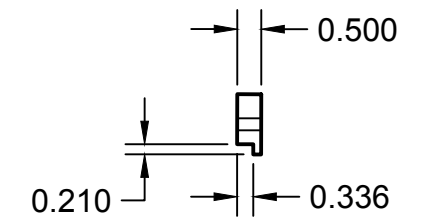
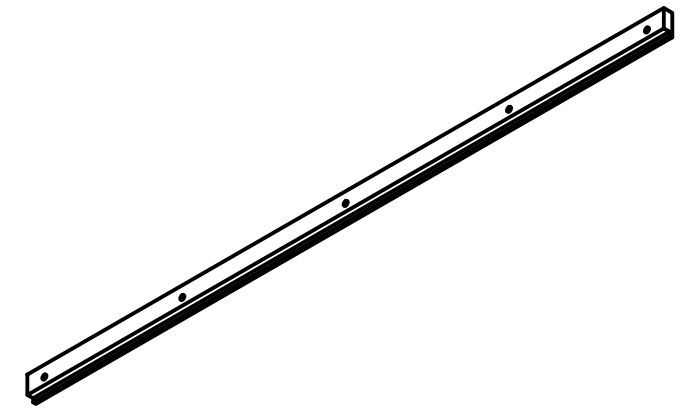
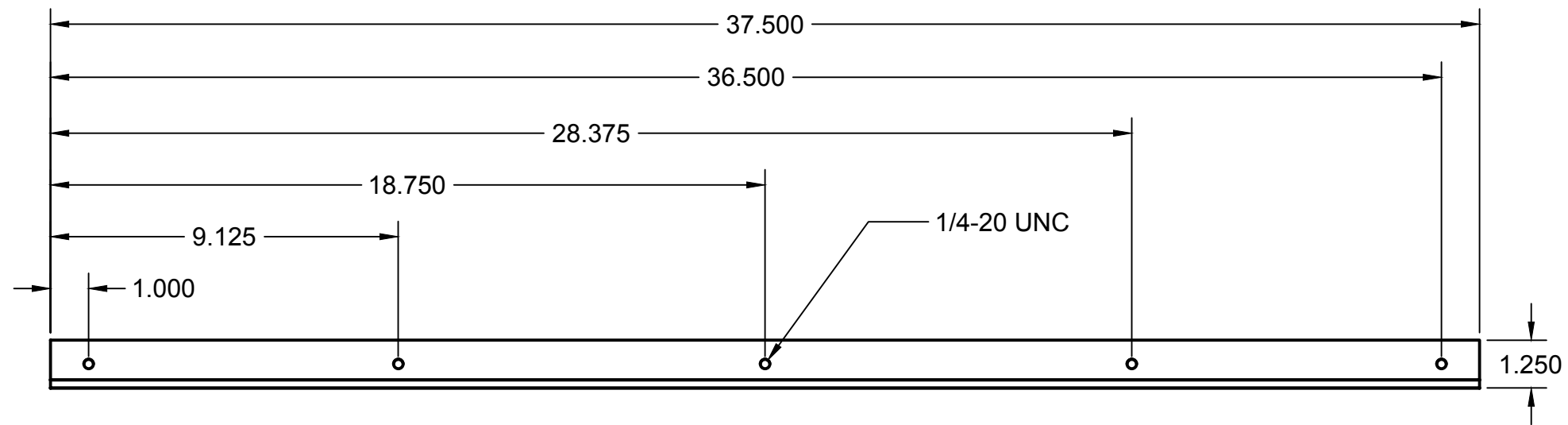
 <b>SHOP OF HORRORS</b> WWW.GWELLWOOD.COM	PROJECT			
	<b>CLAMP ARM</b>			
TITLE				
<b>SHEET METAL BRAKE</b>				
APPROVED	SIZE	CODE	DWG NO	REV
CHECKED	B			
DRAWN	Greg Wellwood	20/05/19	SCALE 1:1	WEIGHT
			SHEET 5/20	



DRILL 1/4" TO MATCH CLAMP ARMS

DRILL 1/4" TO MATCH FINGER HOLDER

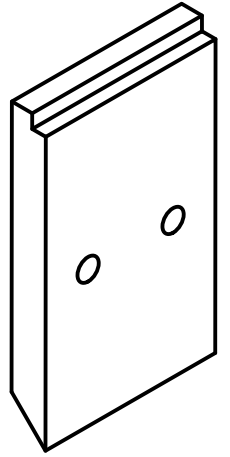
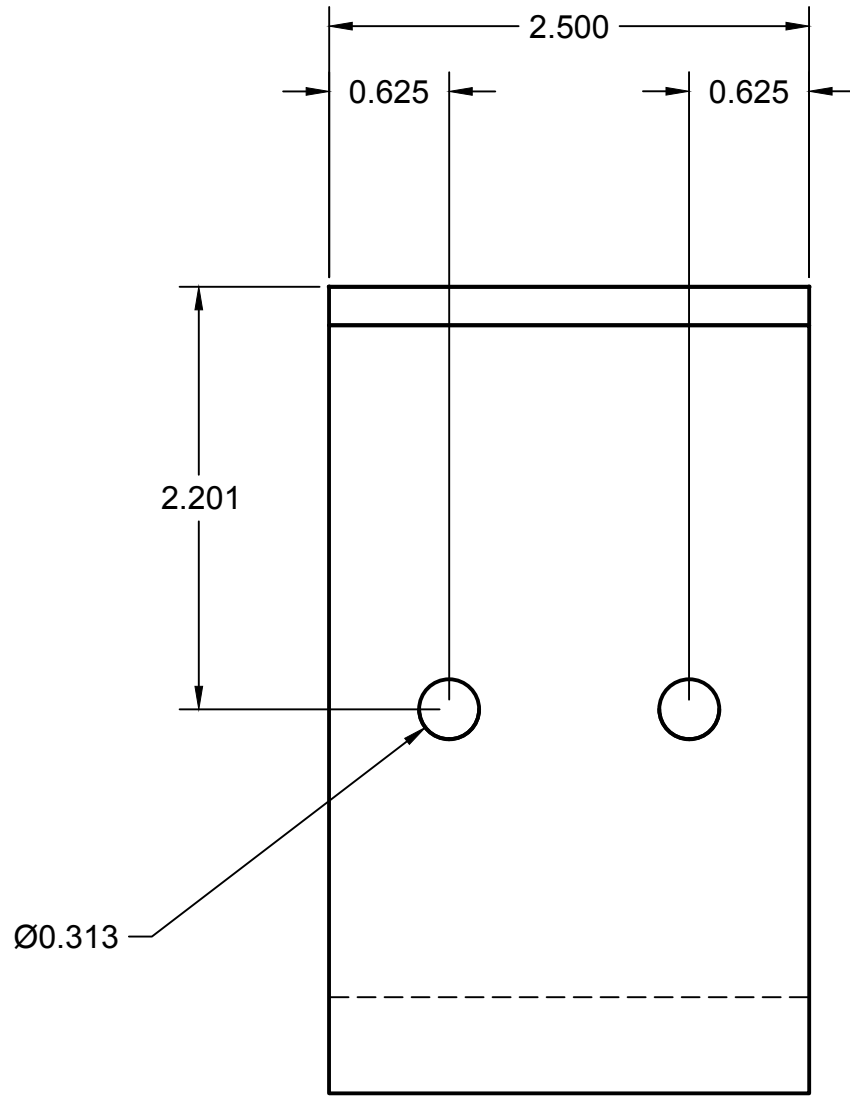
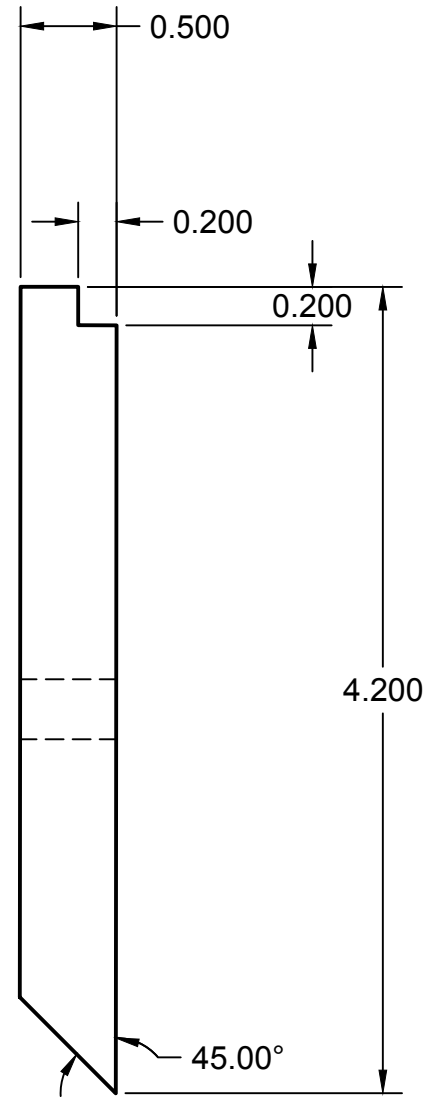
 <b>SHOP OF HORRORS</b> <small>WWW.GWELLWOOD.COM</small>	PROJECT			
	<b>CLAMP BRACE</b>			
TITLE				
<b>SHEET METAL BRAKE</b>				
APPROVED	SIZE	CODE	DWG NO	REV
CHECKED	B			
DRAWN	Greg Wellwood	20/05/19	SCALE 1:4	WEIGHT
				SHEET 6/20




PROJECT  
**FINGER HOLDER**

TITLE  
**SHEET METAL BRAKE**

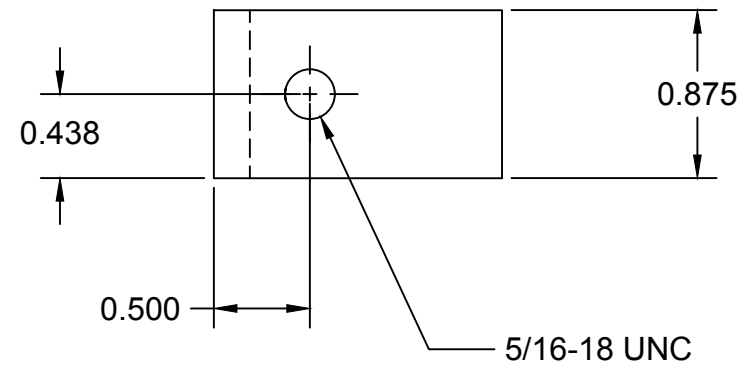
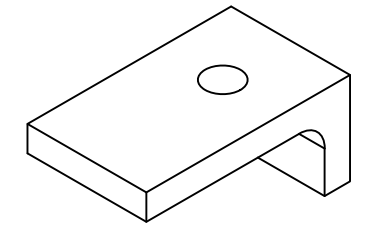
APPROVED	SIZE	CODE	DWG NO	REV
CHECKED	B			
DRAWN	Greg Wellwood	20/05/19	SCALE 1:4	WEIGHT
				SHEET 7/20



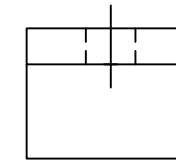
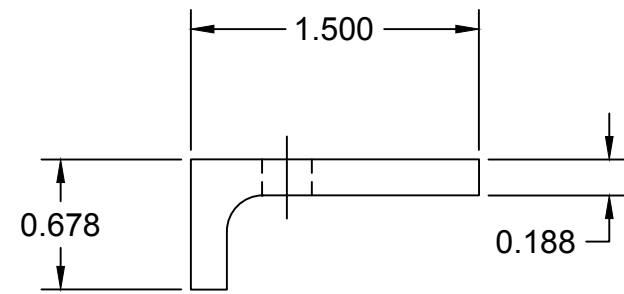
NEED FOURTEEN

 <b>SHOP OF HORRORS</b> WWW.GWELLWOOD.COM	PROJECT			
	<b>FINGER</b>			
	TITLE			
	<b>SHEET METAL BRAKE</b>			
APPROVED	SIZE	CODE	DWG NO	REV
CHECKED	B			
DRAWN	Greg Wellwood	20/05/19	SCALE 1:1	WEIGHT
				SHEET 8/20





NEED TWENTY EIGHT



SHOP OF HORRORS  
WWW.GWELLWOOD.COM

PROJECT

FINGER CLAMP

TITLE

SHEET METAL BRAKE

APPROVED

CHECKED

DRAWN

Greg Wellwood 20/05/19

SIZE

B

SCALE 1:1

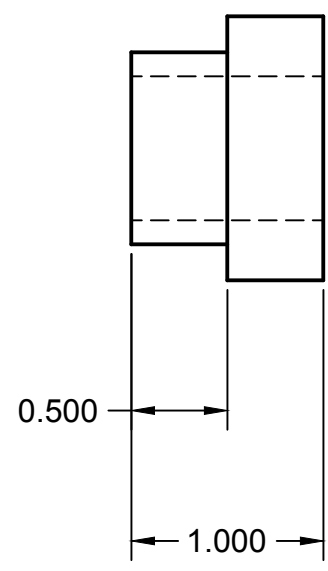
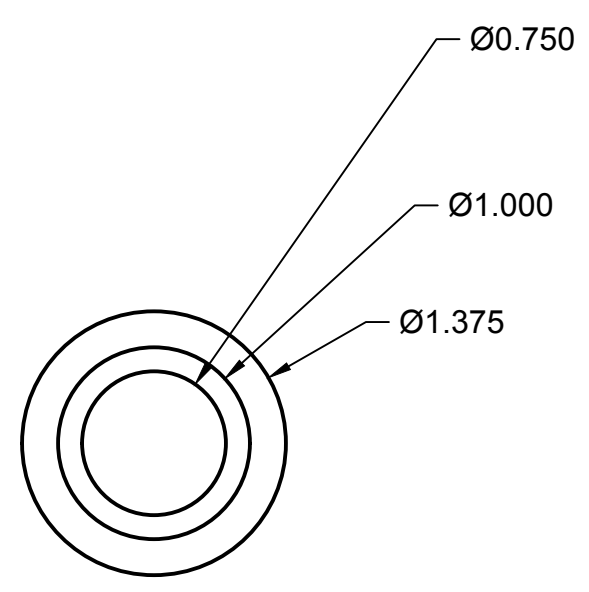
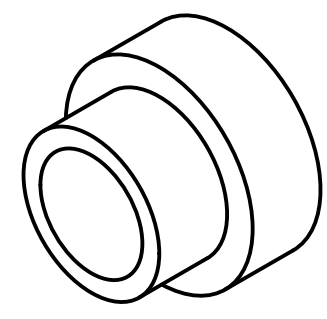
CODE

DWG NO

WEIGHT

REV

SHEET 9/20



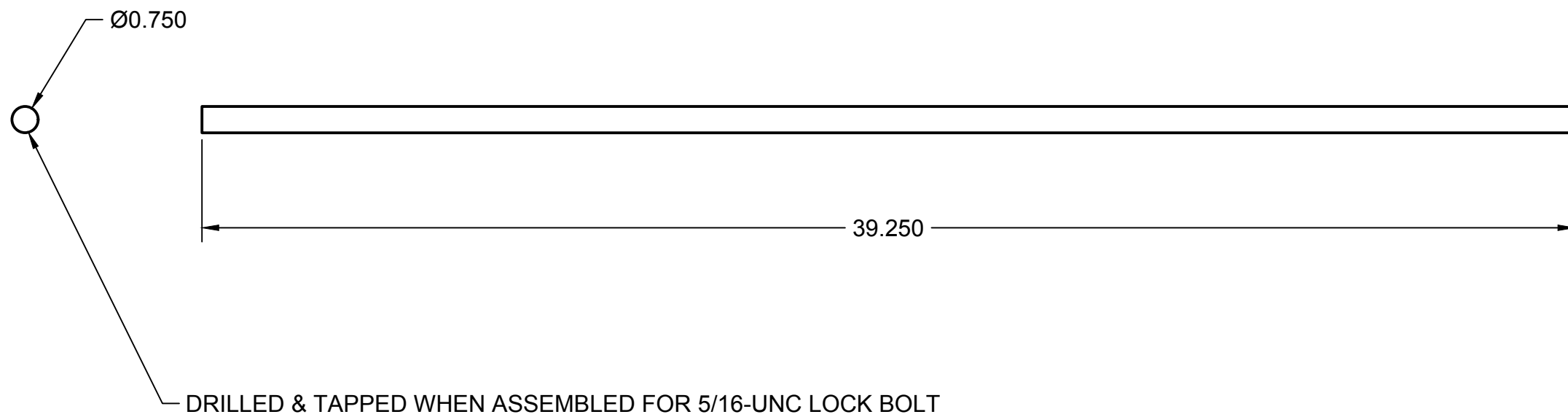
NEED TWO  
MACHINE  
CLEARANCE AS  
REQUIRED




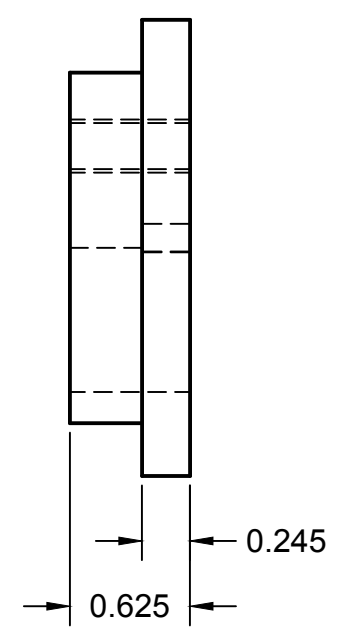
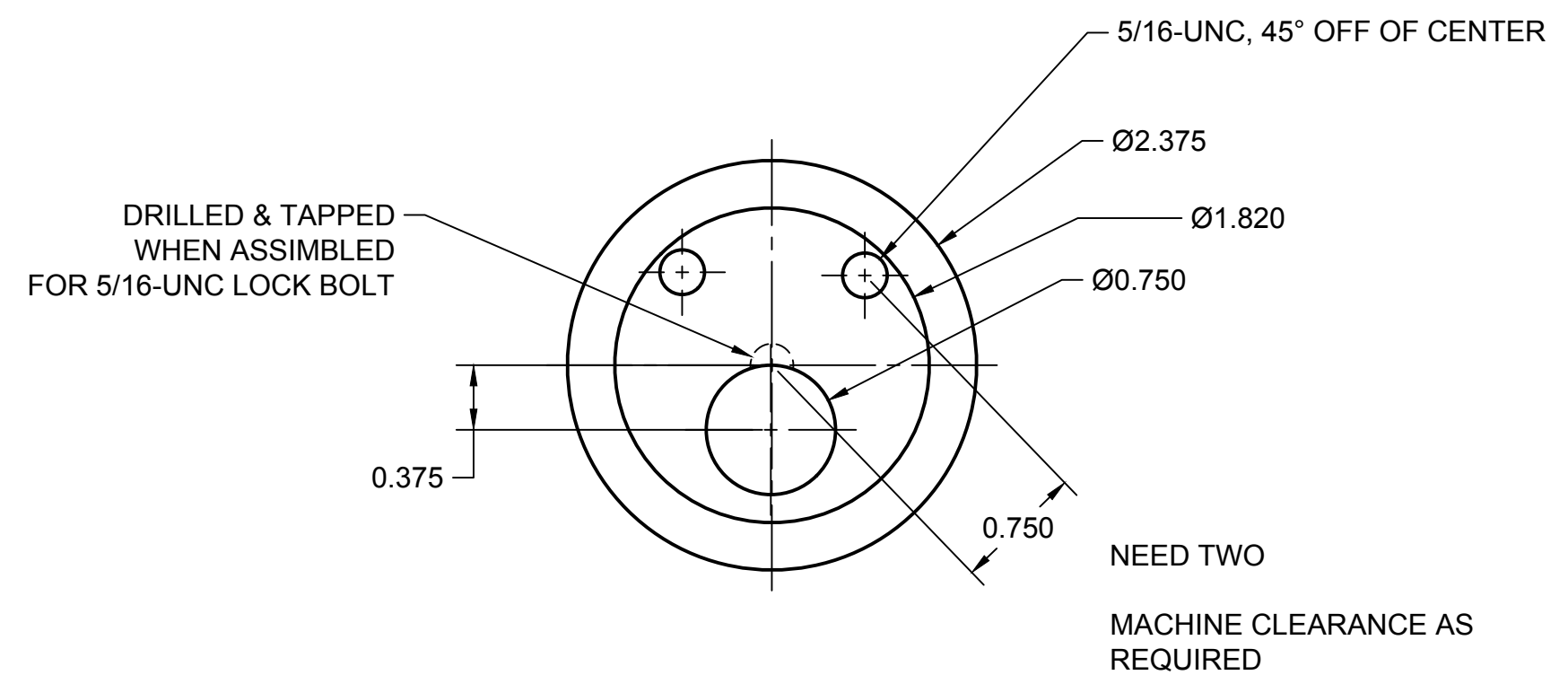
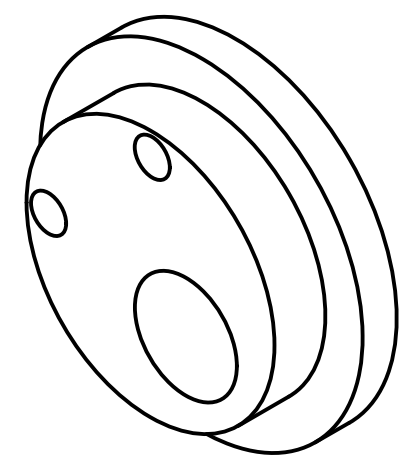
PROJECT  
**CANTILEVER SPACER**

TITLE  
**SHEET METAL BRAKE**

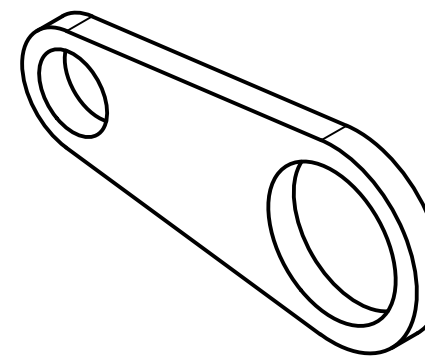
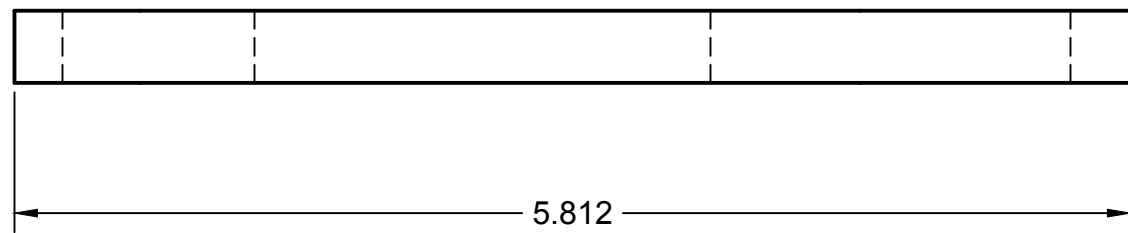
APPROVED	SIZE	CODE	DWG NO	REV
CHECKED	B			
DRAWN Greg Wellwood 20/05/19	SCALE 1:1	WEIGHT	SHEET 10/20	



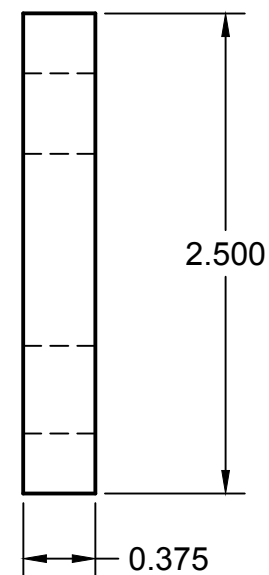
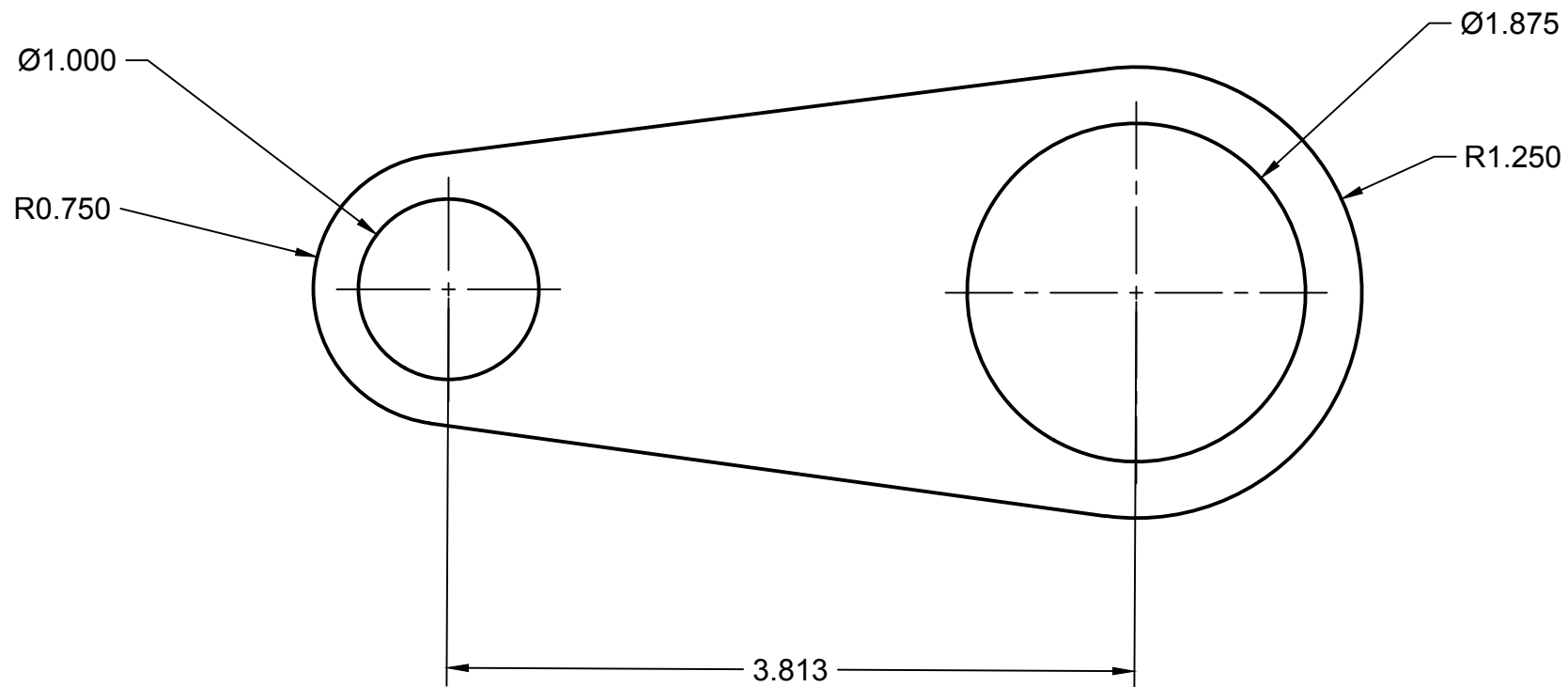
 <b>SHOP OF HORRORS</b> WWW.GWELLWOOD.COM	PROJECT			
	<b>OVERCENTER SHAFT</b>			
	TITLE			
	<b>SHEET METAL BRAKE</b>			
APPROVED	SIZE	CODE	DWG NO	REV
CHECKED	B			
DRAWN	Greg Wellwood	20/05/19	SCALE 1:4	WEIGHT
				SHEET 11/20



PROJECT <b>CLAMP OVERCENTER</b>			
TITLE <b>SHEET METAL BRAKE</b>			
APPROVED	SIZE	CODE	DWG NO
CHECKED	B		
DRAWN Greg Wellwood 20/05/19	SCALE 1:1	WEIGHT	SHEET 12/20
			REV



NEED TWO



SHOP OF HORRORS  
WWW.GWELLWOOD.COM

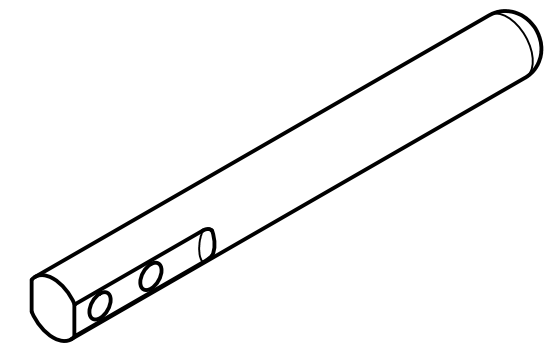
PROJECT

CANTILEVER LEVER

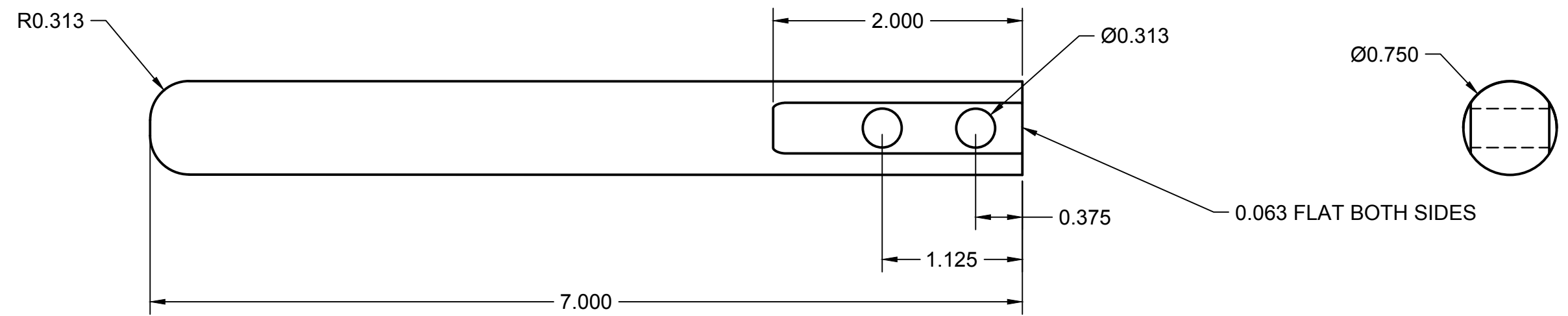
TITLE

SHEET METAL BRAKE

APPROVED	SIZE	CODE	DWG NO	REV
CHECKED	B			
DRAWN	Greg Wellwood	20/05/19	SCALE 1:1	WEIGHT
				SHEET 13/20



NEED TWO

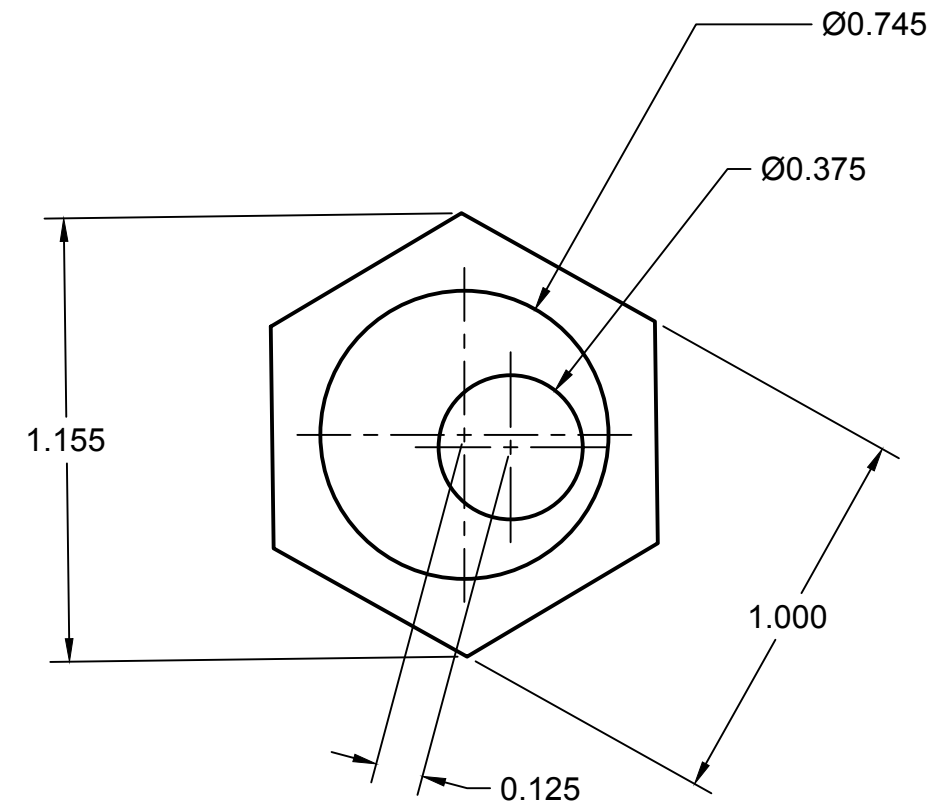
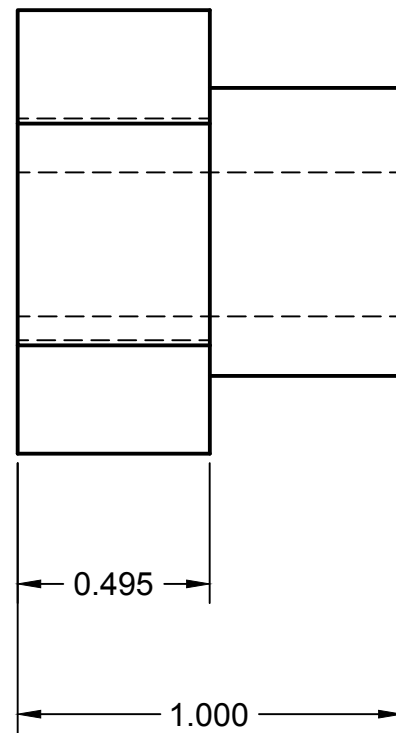
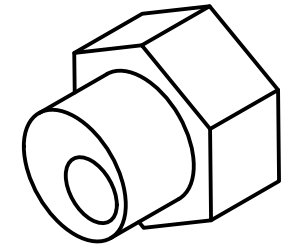



PROJECT  
**CLAMP HANDLE**

TITLE  
**SHEET METAL BRAKE**

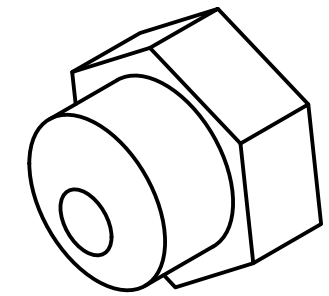
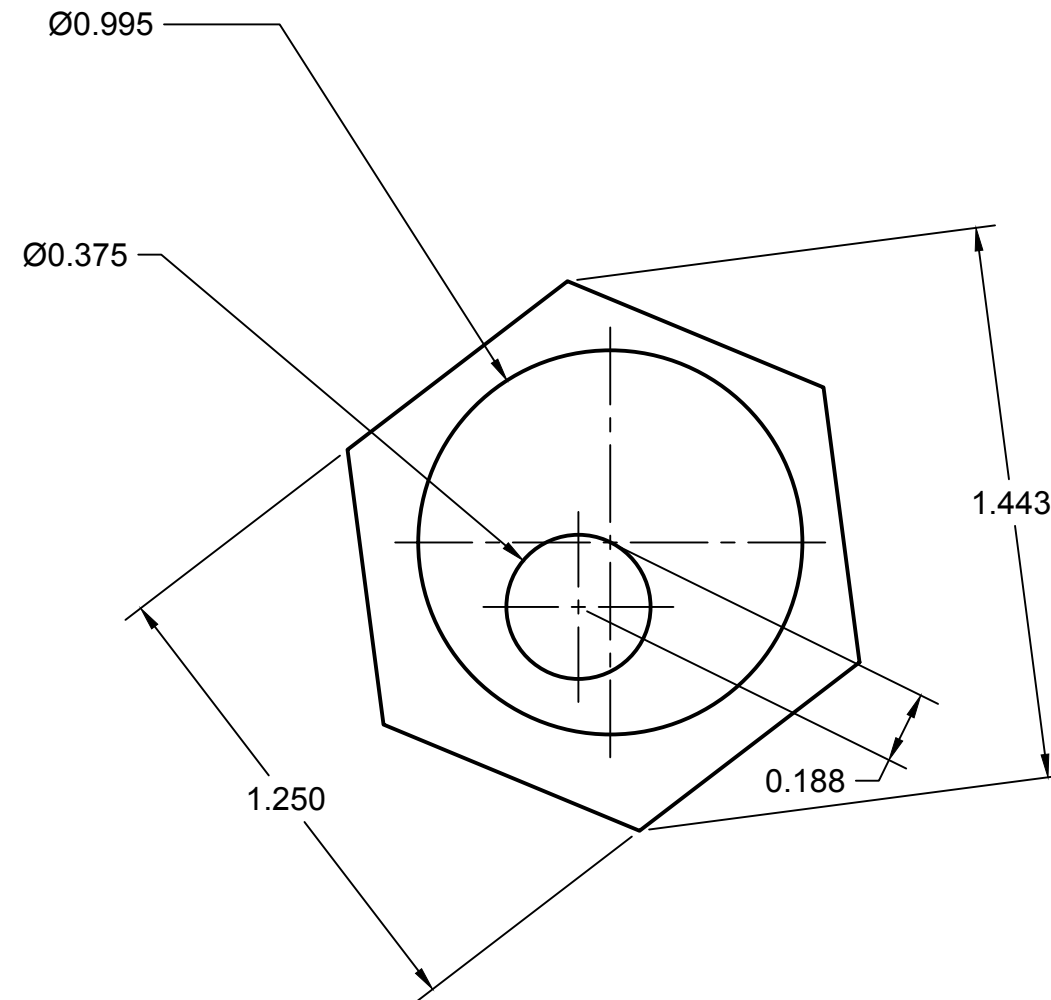
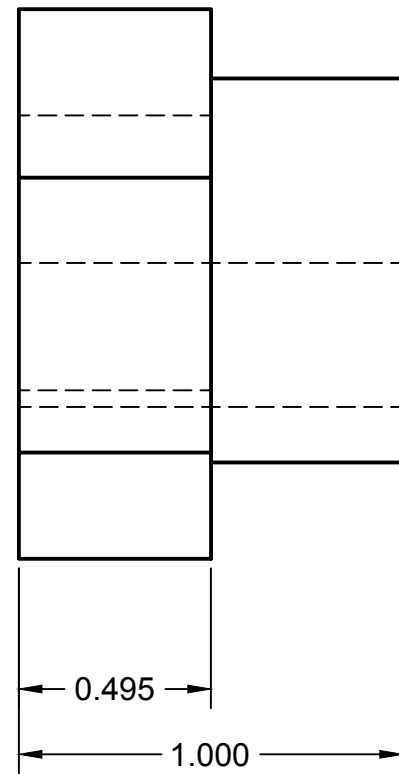
APPROVED	SIZE	CODE	DWG NO	REV
CHECKED	B			
DRAWN Greg Wellwood 20/05/19	SCALE 1:1	WEIGHT	SHEET 14/20	


NEED TWO  
 MACHINE CLEARANCE  
 AS REQUIRED



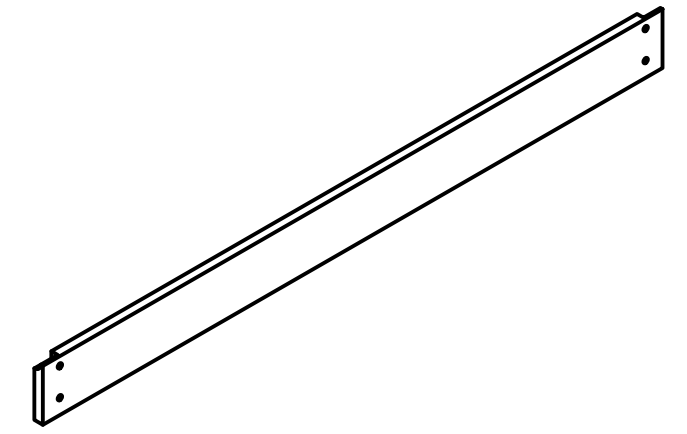
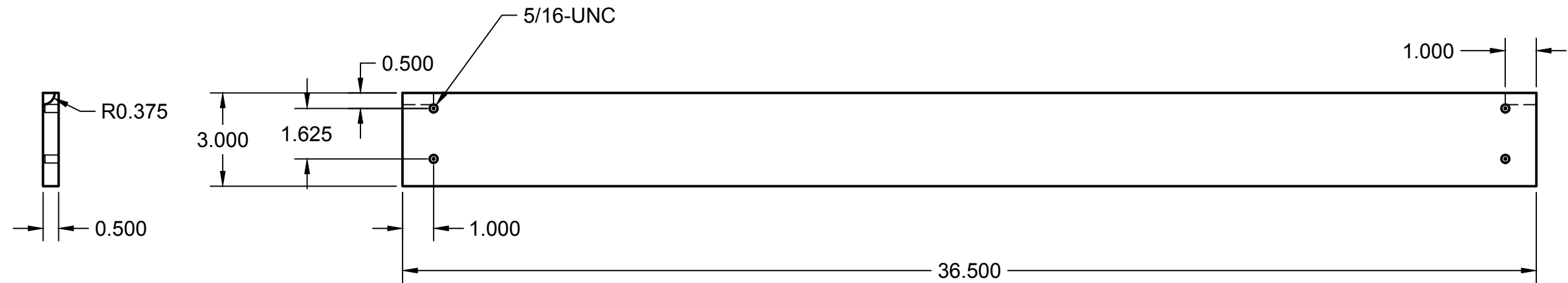
 <b>SHOP OF HORRORS</b> WWW.GWELLWOOD.COM	PROJECT			
	<b>CLAMP PIVOT</b>			
	TITLE			
	<b>SHEET METAL BRAKE</b>			
APPROVED	SIZE	CODE	DWG NO	REV
CHECKED	B			
DRAWN	Greg Wellwood	20/05/19	SCALE 2:1	WEIGHT
				SHEET 15/20


NEED TWO  
MACHINE CLEARANCE  
AS REQUIRED

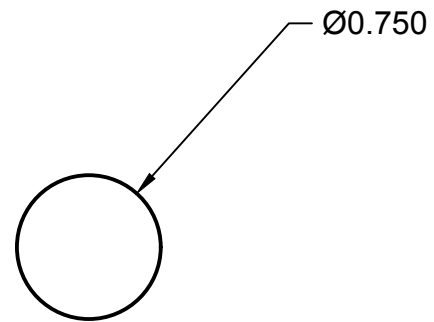
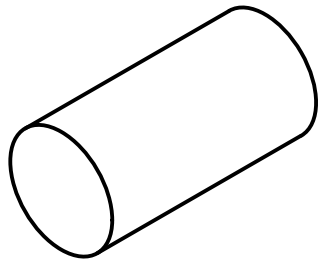


 <b>SHOP OF HORRORS</b> WWW.GWELLWOOD.COM	PROJECT <b>CLAMP CAM</b>			
	TITLE <b>SHEET METAL BRAKE</b>			
APPROVED	SIZE	CODE	DWG NO	REV
CHECKED	B			
DRAWN	Greg Wellwood	20/05/19	SCALE 2:1	WEIGHT
				SHEET 16/20

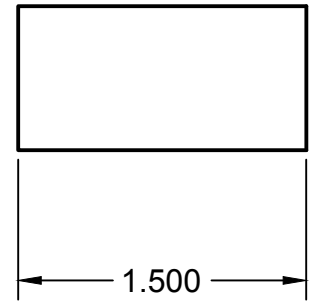




 <b>SHOP OF HORRORS</b> WWW.GWELLWOOD.COM	PROJECT			
	<b>FOLDER BAR</b>			
TITLE				
<b>SHEET METAL BRAKE</b>				
APPROVED	SIZE	CODE	DWG NO	REV
CHECKED	B			
DRAWN	Greg Wellwood	20/05/19	SCALE 1:4	WEIGHT
			SHEET 17/20	



NEED TWO



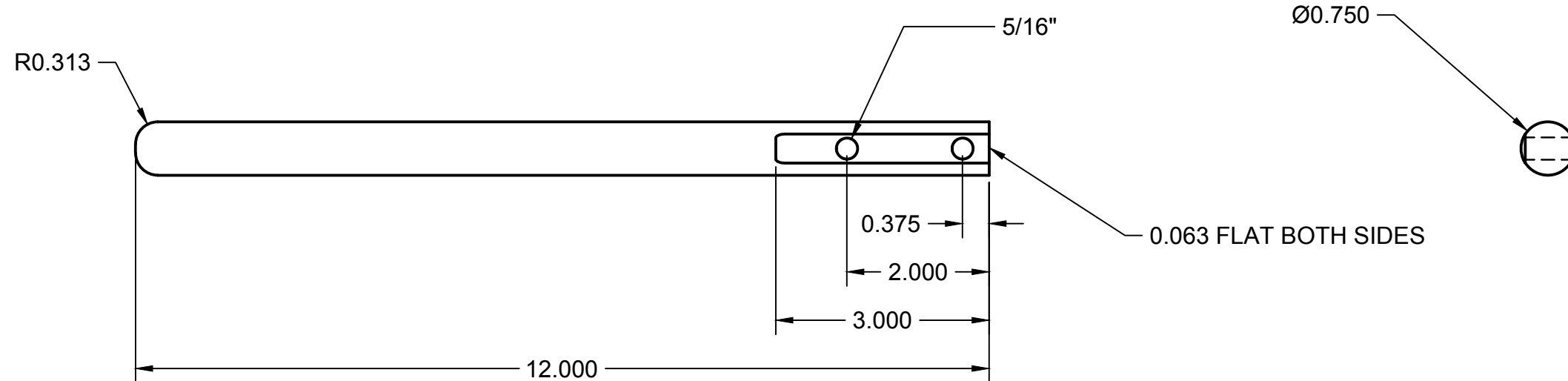
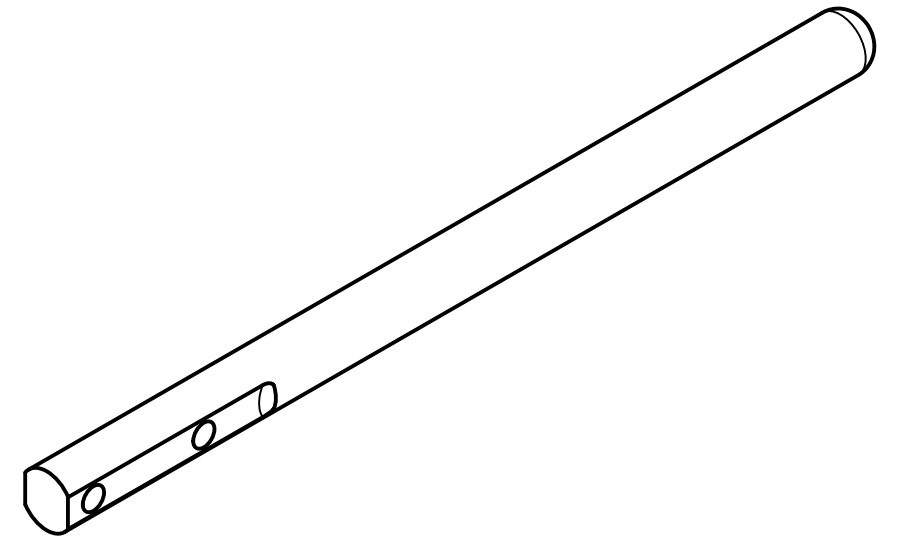
PROJECT

FOLDER PIN

TITLE

SHEET METAL BRAKE

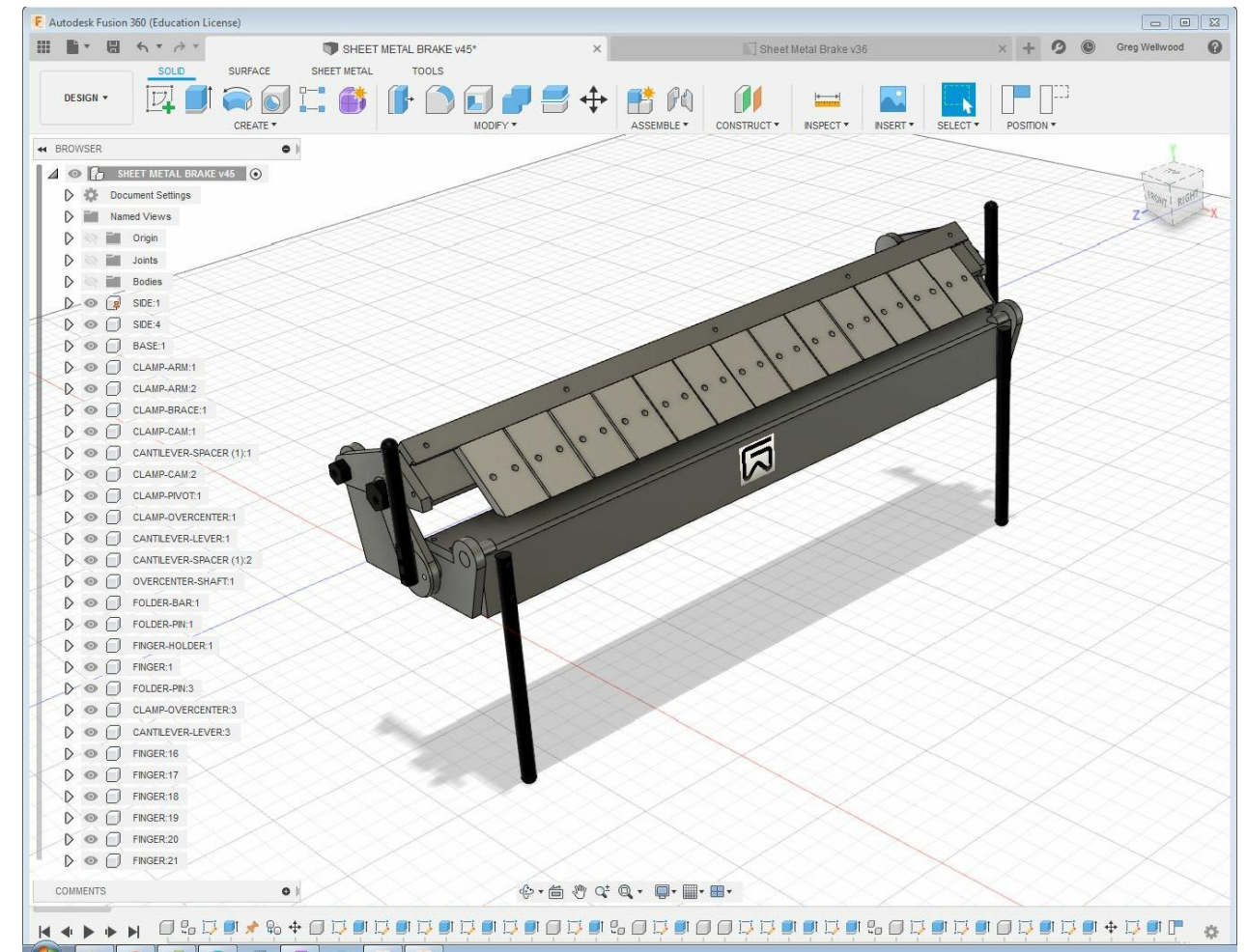
APPROVED	SIZE	CODE	DWG NO	REV
CHECKED	B			
DRAWN Greg Wellwood 20/05/19	SCALE 1:1	WEIGHT	SHEET 18/20	




PROJECT  
**FOLDER HANDLE**

TITLE  
**SHEET METAL BRAKE**

APPROVED	SIZE	CODE	DWG NO	REV
CHECKED	B			
DRAWN Greg Wellwood 20/05/19	SCALE 1:2	WEIGHT	SHEET 19/20	



FABRICATION VIDEO: <https://youtu.be/0JAi5lxwAwU>

 <b>SHOP OF HORRORS</b> WWW.GWELLWOOD.COM	PROJECT			
	<b>FINISHED PRODUCT</b>			
	TITLE			
	<b>SHEET METAL BRAKE</b>			
APPROVED	SIZE	CODE	DWG NO	REV
CHECKED	B			
DRAWN	Greg Wellwood	20/05/19	SCALE	WEIGHT
				SHEET 20/20